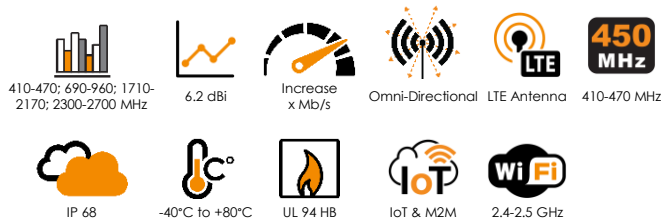


**ANTENNAS | OMNI-402 SERIES**

**OMNI DIRECTIONAL MARINE ANTENNA**

**HIGH PERFORMANCE 2X2 MIMO LINEAR MARINE & COASTAL 410MHZ – 2700MHZ ANTENNA**



APPLICATION AREAS

- **2x2 MIMO Marine Quality High-Performance Omni Directional Antenna**
- **Easy mounting with feed through 1-inch marine standard adapter bracket included**
- **Robust and All-weather proof for harsh conditions at sea**
- **Various 316 Stainless Steel mounting brackets available optionally**
- **UV and Saltwater protected against tempestuous weather Conditions**
- **Protected against water and dust ingress, IP68**

**Product Overview**

The OMNI-402 is an ultra-wide band antenna, which covers all contemporary LTE operating frequencies with excellent balanced gain across all frequencies, while providing 2x2 MIMO capability from its vertically separated radiating elements, all in the same radome. The antenna design allows the antenna to have superior pattern control over the entire frequency range making the OMNI-402 a true high performance omni-directional MIMO antenna, suitable for marine and coastal applications. Usable in all parts of the world, the OMNI-402 guarantees signal reception almost everywhere. Poynting Antennas achieves this through new antenna configuration using multiple dipoles and a unique (patented) feed network. The antenna is future proof as it covers the 450 MHz LTE frequency which is becoming more popular in various regions and countries!

**Features**

- Medium gain omni-directional antenna
- The antenna is purpose-built for marine and coastal applications
- UV and Salt-water resistant
- Robust and weather resistant
- 2x2 MIMO
- 2.4 - 2.5 GHz band can be used as Wi-Fi antenna

**Application Areas**

- Marine applications / Yachts / Boats / Ferries
- Enhanced LTE Reception
- IoT and M2M
- Poor data signal reception
- Improve data transmission connection reliability & stability
- Wi-Fi Applications



**OMNI-402**

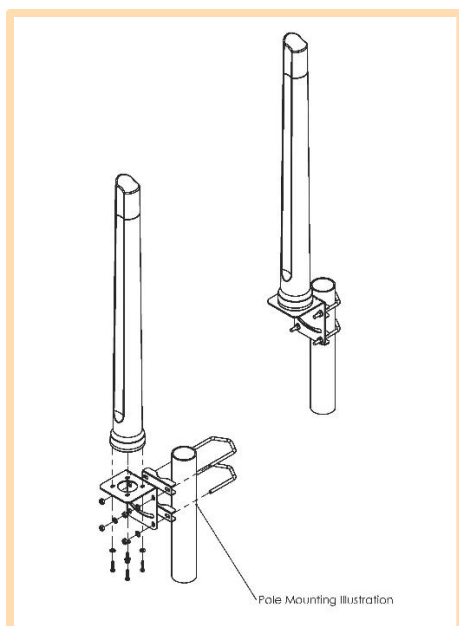






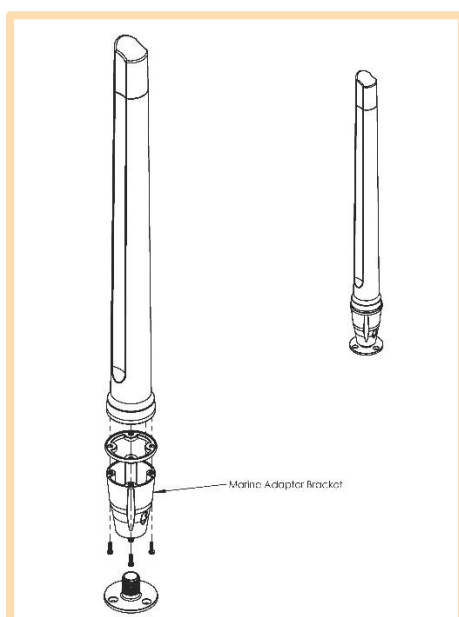


## Mounting Options



### Pole Mount

L-Bracket 316 Stainless Steel – included  
 (for Ø 30-50mm pole)



### Marine Bracket Mount

1" -14 TPI female adapter – included

Mounts to standard marine brackets:

- BRKT-37: Flat Mount - Optional
- BRKT-38: Ratchet Mount - Optional
- BRKT-39: Rail Mount - Optional

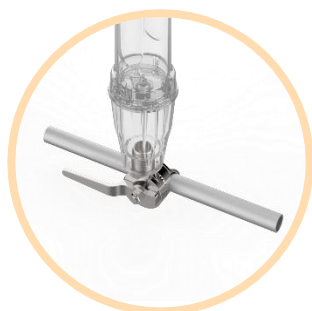
See Optional Accessories below

Also available: BRKT-41 with 1.25" – 11TPI female adapter (Optional)

See Accessories below

**Optional Accessories****BRKT-37**

Marine flat mount antenna bracket 1"-14TPI 316 Stainless Steel

**BRKT-38**

Marine ratchet rail mount antenna bracket 1"-14TPI 316 Stainless Steel

**BRKT-39**

Heavy duty marine mount antenna bracket 1"-14TPI 316 Stainless Steel

See accessories technical specifications on [www.poynting.tech](http://www.poynting.tech)